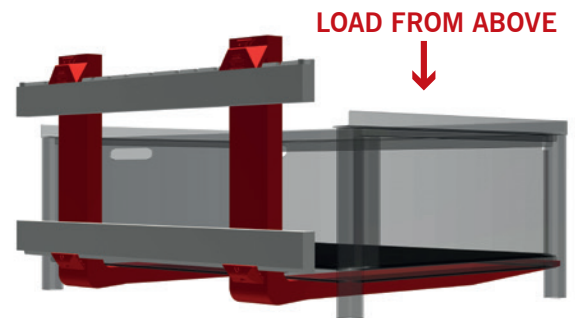


Fork arms in standard, reverse and rotator design

STANDARD FORKS

Load on the fork blade from above. The upper fork hooks bear the entire load, the lower fork hooks merely serve as guide.

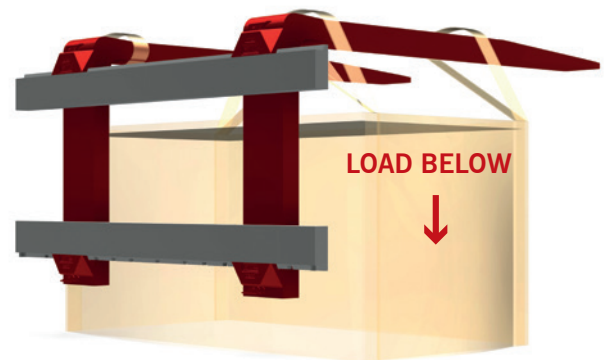
Example: fork 4" x 1.75", ITA class 2:
Width of upper / lower fork hook: 3.5"
Capacity per pair: 5,500 lbs / LC 24"



REVERSE FORKS

ReverseForks may be used either with fork blade facing upwards or as standard fork. Upper and lower hook are designed identically and equipped with locking devices. The cross-section is customized on requirements and load capacities.

Example: fork 4" x 1.75", ITA class 2:
Width of upper / lower fork hook: 4.3"
(both fork hooks with locking pin)
Capacity per pair: 4,400 lbs / LC 24"
For higher load capacity, the fork heel area may be reinforced by bracing plates.



Application for special load carriers

Attention: NEVER use StandardForks as ReverseForks!

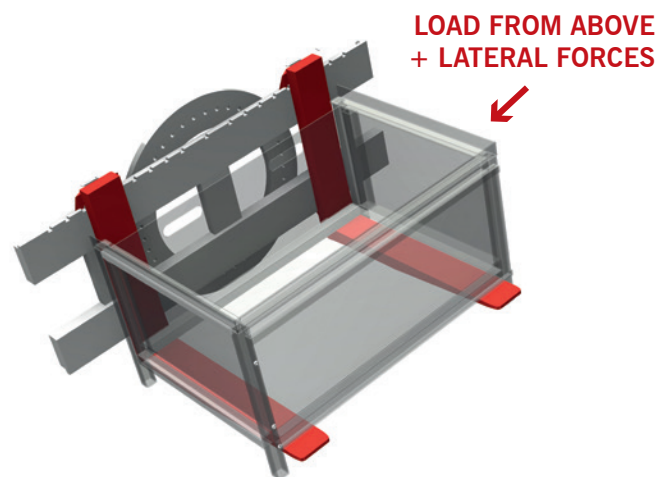
FORKS FOR ROTATORS

When mounted to rotators, forks are exposed to high lateral forces. Depending on the position, the **entire load rests on one fork.**

Therefore, it is essential that forks for rotators are customized with reinforced lower hook.

Rotator forks can be supplied with or without third hook as required for the specific attachment.
Please contact us!

Example: fork 4" x 1.75", ITA class 2:
Width of upper / lower fork hook: 5.5"
Capacity per pair: 5,500 lbs / LC 24"



For your own safety, please have your ReverseForks and forks for rotators designed by the VETTER engineering team!

The illustrations only represent the basic principles and do not constitute a contractual entitlement. Technical information will not be updated automatically.